



US00D770599S

(12) **United States Design Patent**
Daughters

(10) **Patent No.:** **US D770,599 S**

(45) **Date of Patent:** **** Nov. 1, 2016**

(54) **PIPE FITTING**

(71) Applicant: **Dana L. Daughters**, Geneva, OH (US)

(72) Inventor: **Dana L. Daughters**, Geneva, OH (US)

(73) Assignee: **GAMECHANGER FITTINGS, LLC**,
Geneva, OH (US)

(**) Term: **15 Years**

(21) Appl. No.: **29/529,921**

(22) Filed: **Jun. 11, 2015**

(51) **LOC (10) Cl.** **23-01**

(52) **U.S. Cl.**
USPC **D23/263; D23/259**

(58) **Field of Classification Search**

USPC D23/259-263, 266, 268, 233, 264
CPC E03C 1/282; E21B 17/046; F16L 33/01;
F16L 33/225; F16L 33/222; F16L 21/04;
F16L 21/06; F16L 21/005; F16L 37/248;
F16L 37/32

See application file for complete search history.

(56) **References Cited**

U.S. PATENT DOCUMENTS

| | | | | |
|---------------|---------|----------|-------|--------------------------|
| D22,865 S * | 10/1893 | Pierce | | D23/248 |
| D28,572 S | 5/1898 | Rose | | |
| D29,983 S | 1/1899 | Byrnes | | |
| D31,553 S | 9/1899 | Glauber | | |
| D33,224 S | 9/1900 | Thompson | | |
| D56,439 S * | 10/1920 | Klemme | | D23/263 |
| 1,629,208 A | 8/1925 | Ernst | | |
| 4,031,914 A * | 6/1977 | Neri | | E03C 1/284 137/247.51 |

| | | | | |
|--------------|---------|-------------|-------|---------|
| D244,937 S * | 7/1977 | Houk | | D23/259 |
| D304,486 S * | 11/1989 | Elder | | D23/233 |
| D343,889 S * | 2/1994 | Stonecypher | | D23/263 |
| D348,723 S * | 7/1994 | Carroll | | D23/263 |
| D435,637 S * | 12/2000 | Wales | | D23/263 |
| D454,940 S * | 3/2002 | Hoening | | D23/259 |
| D522,616 S * | 6/2006 | Minnick | | D23/233 |
| D580,530 S * | 11/2008 | McAlpine | | D23/268 |
| D590,481 S * | 4/2009 | Stimpson | | D23/262 |
| D659,809 S * | 5/2012 | Smith | | D23/268 |
| D675,290 S | 1/2013 | Mitchell | | |
| D676,533 S | 2/2013 | Clarke | | |

* cited by examiner

Primary Examiner — Eric Goodman

Assistant Examiner — Amy Wierenga

(74) *Attorney, Agent, or Firm* — Rankin, Hill & Clark
LLP

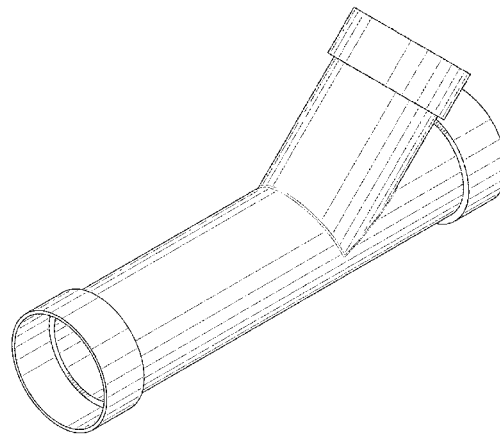
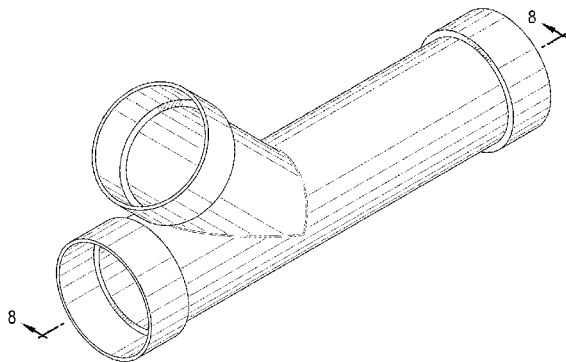
(57) **CLAIM**

The ornamental design for a pipe fitting, as shown and described.

DESCRIPTION

FIG. 1 is a front perspective view of a pipe fitting;
FIG. 2 is a rear perspective view thereof;
FIG. 3 is a left side elevation view thereof;
FIG. 4 is a right side elevation view thereof;
FIG. 5 is a front elevation view thereof, with the rear
elevation view being a mirror image;
FIG. 6 is a top plan view thereof;
FIG. 7 is a bottom plan view thereof; and,
FIG. 8 is a front sectional view thereof along line 8-8 of FIG.
1.

1 Claim, 7 Drawing Sheets



(12) **United States Design Patent**
Daughters

(10) **Patent No.:** **US D770,600 S**
(45) **Date of Patent:** **** Nov. 1, 2016**

- (54) **SANITARY TEE PIPE FITTING**
- (71) Applicant: **Dana L. Daughters**, Geneva, OH (US)
- (72) Inventor: **Dana L. Daughters**, Geneva, OH (US)
- (73) Assignee: **GAMECHANGER FITTINGS, LLC**,
Geneva, OH (US)
- (**) Term: **15 Years**
- (21) Appl. No.: **29/540,079**
- (22) Filed: **Sep. 21, 2015**
- (51) **LOC (10) Cl.** **23-01**
- (52) **U.S. Cl.**
USPC **D23/263**
- (58) **Field of Classification Search**
USPC D23/259–263, 266, 268, 233, 264
CPC E03C 1/282; E21B 17/046; F16L 33/01;
F16L 33/225; F16L 33/222; F16L 21/04;
F16L 21/06; F16L 21/005; F16L 37/248;
F16L 37/32
- See application file for complete search history.

| | | | | | | |
|----------|---|---|---------|-------------|-------|---------|
| D297,678 | S | * | 9/1988 | Sisk | | D23/262 |
| D304,486 | S | * | 11/1989 | Elder | | D23/233 |
| D343,889 | S | * | 2/1994 | Stonecypher | | D23/263 |
| D431,634 | S | * | 10/2000 | Mantz | | D23/263 |
| D454,940 | S | * | 3/2002 | Hoening | | D23/259 |
| D522,616 | S | * | 6/2006 | Minnick | | D23/233 |
| D580,530 | S | * | 11/2008 | McAlpine | | D23/268 |
| D590,481 | S | * | 4/2009 | Stimpson | | D23/262 |
| D675,290 | S | | 1/2013 | Mitchell | | |
| D676,533 | S | | 2/2013 | Clarke | | |
| D720,048 | S | * | 12/2014 | Winborn | | D23/233 |
| D722,140 | S | * | 2/2015 | Sisk | | D23/262 |
| D755,940 | S | * | 5/2016 | Schulze | | D23/266 |

* cited by examiner

Primary Examiner — Eric Goodman
Assistant Examiner — Amy Wierenga
(74) *Attorney, Agent, or Firm* — Rankin, Hill & Clark
LLP

(57) **CLAIM**
The ornamental design for a sanitary tee pipe fitting, as shown and described.

DESCRIPTION

FIG. 1 is a front perspective view of a sanitary tee pipe fitting;
FIG. 2 is a rear perspective view thereof;
FIG. 3 is a left side elevation view thereof;
FIG. 4 is a right side elevation view thereof;
FIG. 5 is a rear elevation view thereof;
FIG. 6 is a front elevation view thereof;
FIG. 7 is a top plan view thereof;
FIG. 8 is a bottom plan view thereof; and,
FIG. 9 is a front sectional view thereof along line 9-9 of FIG. 1.

1 Claim, 8 Drawing Sheets

- (56) **References Cited**
U.S. PATENT DOCUMENTS
- | | | | | | | |
|-----------|---|---|---------|----------|-------|--------------------------|
| D22,865 | S | * | 10/1893 | Pierce | | D23/248 |
| D28,572 | S | | 5/1898 | Rose | | |
| D29,983 | S | | 1/1899 | Byrnes | | |
| D31,553 | S | | 9/1899 | Glauber | | |
| D33,224 | S | | 9/1900 | Thompson | | |
| D56,439 | S | * | 10/1920 | Klemme | | D23/263 |
| 1,629,208 | A | | 8/1925 | Ernst | | |
| 2,121,558 | A | * | 6/1938 | Coe | | B21D 39/04 285/133.11 |
| D244,937 | S | * | 7/1977 | Houk | | D23/259 |

